

Comfort 220.2 blueline

Operator system for garage doors

1.05



[E O S] EASY OPERATING SYSTEM

Comfort 220.2 blueline

Article	Article no.	Price each
Motor unit Comfort 220.2 blueline	88 302	

Package

- Motor unit Comfort 220.2 blueline with multibit remote control 868 MHz
- Digital 302 Mini hand transmitter, 2-channel
- Universal mounting kit for up-and-over doors and sectional doors

Electrical details

Nominal voltage	230 V
Nominal frequency	50/60 Hz
Power consumption	1,1 A
Power input in operation	0,25 KW
Power input stand-by	< 0,3 W
Operation mode (duty cycle)	KB 2 min.
Control voltage	24 V DC
Protection category	(motor unit) IP 20
Protection class	II

Mechanical details

Push and pull force	600 N
Door travel speed	140 mm/sec.
Opening time (door-specific)	approx. 15 sec.

General details

Measurements	(motor unit) 220 x 125 x 395 mm
Weight (total)	3,8 kg
Range of temperature	-20°C to +60°C
Illuminant (energy-saving bulb)	1 x 11 W, E14

Function

- Economy mode blueline
- Reference point technique
- Electronic travel cut-out
- Soft start/soft stop
- Push-open security device
- Anti-blocking device
- Excess travel stop
- Release from inside
- Connection pushbuttons, code keypads and key switches
- back-up-compatible combined with back-up 200, 700
- Connection battery back-up
- Automatic cut-out 'Open' and 'Close' separately programmable
- Partial opening programmable
- Door travel speed 'Open' and 'Close' separately programmable
- Soft run position 'Open' and 'Close' separately programmable
- Soft run travel speed 'Open' and 'Close' separately programmable
- 3 minutes light for garage door lighting programmable
- Automatic timer function
- Retrofitting of potential-free signal relay possible, for: signal light, wiping impulse, 3 minutes light, final position message, alarm system and malfunction message
- Error message
- Reset function

Application

- Operator system for garage doors – private use
- For up-and-over doors up to a door width of 3.500 mm and a door weight of 100 kg
- For single-walled sectional doors up to a door width of 5.000 mm and a door weight of 100 kg
- For double-walled sectional doors up to a door width of 3.000 mm and a door weight of 100 kg
- For retractable up-and-over doors and canopy doors up to a door width of 3.500 mm, a door height of 2.250 mm and a door weight of 100 kg
- For maximum 8 parking lots, 16 operations (equates to RAL-certification mark class II / 60.000 cycles)
- For operator rails with roller chains, toothed drive belts or ball rope

Comfort

Digital

Command

Control

Special

Parc 100

Accessories

3.11 for back-up compatible operator systems



NEW

back-up 700

Article	Article no.	Price each
Battery-back-up for all back-up compatible Marantec operator systems	87 786	

Package

- Accumulator unit with charge regulator
- Connecting cable
- Sales unit: 1 no.

Function / Application

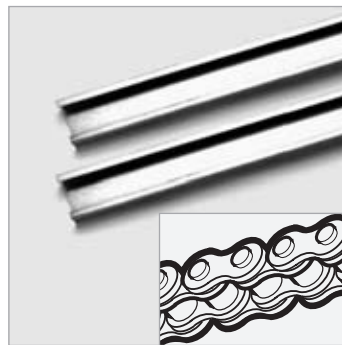
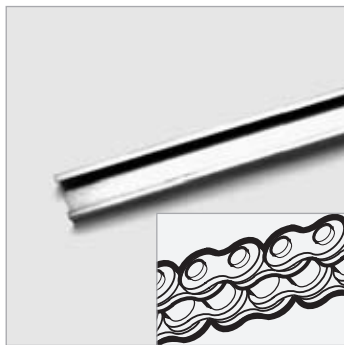
- For emergency power supply of the operator systems, retrofittable (only with blueline, Control x.51 from serial no. 5000059174 onwards Control x.81 from serial no. 5000059844 onwards)
- Service life (battery back-up mode) at an ambient temperature of +20°C
 - max. 70 cycles within 7 days (blueline)
 - max. 30 cycles within 3 days (operator systems for outside gates)

Technical details / Specifications

Measurements (W x H x D)	230 x 280 x 80 mm
Weight (total)	6 kg
Battery capacity	7,2 Ah
Range of temperature	-15°C to +45°C
Protection category	IP 20

Operator rails

1.11 Comfort 211, 220.2, 250.2, 252.2



Roller chain, 1-part version (0,8 mm)

Article	Article no.	Price each
SK 11, 1-part Measurements (L) 3.080 mm Length of travel 2.475 mm Packing length 3.140 mm Weight (total) 5,9 kg	83 772	

Article	Article no.	Price each
SK 12, 1-part Measurements (L) 3.330 mm Length of travel 2.725 mm Packing length 3.380 mm Weight (total) 6,3 kg	83 773	

Article	Article no.	Price each
SK 13, 1-part Measurements (L) 4.090 mm Length of travel 3.485 mm Packing length 4.140 mm Weight (total) 8,2 kg	83 774	

Article	Article no.	Price each
SK Special length upon customer request, 1-part Measurements (L) max. 6.500 mm	83 780	

Package

- Micro-profiled operator rail, 1-part

Function / Application

- To transmit the power from the operator system to the door
- Micro-profiled operator rail for the operator systems Comfort 211 (only SK 11 and SK 12), 220.2, 250.2 and 252.2
- The rail length depends on the door height and on the door brand

Roller chain, 2-part version (0,8 mm)

Article	Article no.	Price each
SK 11, 2-part Measurements (L) 3.080 mm Length of travel 2.475 mm Packing length 1.600 mm Weight (total) 6,8 kg	83 789	

Article	Article no.	Price each
SK 12, 2-part Measurements (L) 3.330 mm Length of travel 2.725 mm Packing length 1.725 mm Weight (total) 7,2 kg	83 790	

Article	Article no.	Price each
SK 13, 2-part Measurements (L) 4.090 mm Length of travel 3.485 mm Packing length 2.100 mm Weight (total) 8,8 kg	83 791	

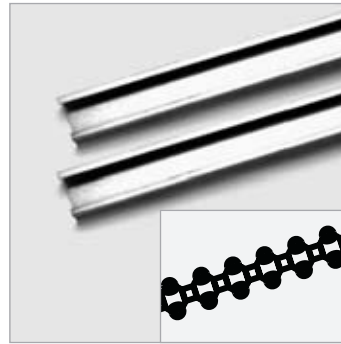
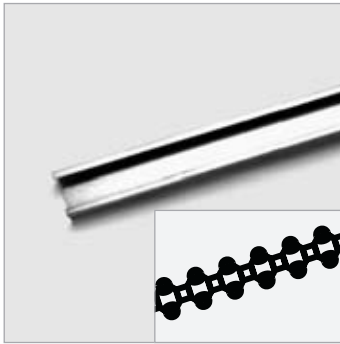
Article	Article no.	Price each
SK Special length upon customer request, 2-part Measurements (L) max. 8.000 mm	83 786	

Package

- Micro-profiled operator rail, 2-part
- Rail connector
- Mounting material

Function / Application

- To transmit the power from the operator system to the door
- Micro-profiled operator rail for the operator systems Comfort 211 (only SK 11 and SK 12), 220.2, 250.2 and 252.2
- The rail length depends on the door height and on the door brand



Ball rope, 1-part-version (0,8 mm)

Article	Article no.	Price each
ST 11, 1-part	84 420	
Measurements (L)	3.080 mm	
Length of travel	2.475 mm	
Packing length	3.140 mm	
Weight (total)	4,4 kg	

Ball rope, 2-part-version (0,8 mm)

Article	Article no.	Price each
ST 11, 2-part	84 421	
Measurements (L)	3.080 mm	
Length of travel	2.475 mm	
Packing length	1.600 mm	
Weight (total)	5,1 kg	

Article	Article no.	Price each
ST 12, 1-part	84 422	
Measurements (L)	3.330 mm	
Length of travel	2.725 mm	
Packing length	3.380 mm	
Weight (total)	4,7 kg	

Article	Article no.	Price each
ST 12, 2-part	84 423	
Measurements (L)	3.330 mm	
Length of travel	2.725 mm	
Packing length	1.725 mm	
Weight (total)	5,4 kg	

Package
· Micro-profiled operator rail, 1-part

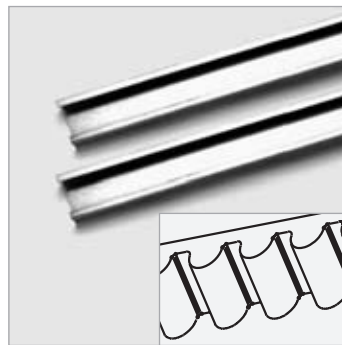
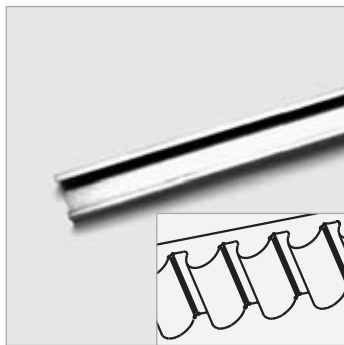
Package
· Micro-profiled operator rail, 2-part
· Rail connector
· Mounting material

Function / Application
· To transmit the power from the operator system to the door
· Micro-profiled operator rail for the operator systems Comfort 211 and 220.2
· The rail length depends on the door height and on the door brand

Function / Application
· To transmit the power from the operator system to the door
· Micro-profiled operator rail for the operator systems Comfort 211 and 220.2
· The rail length depends on the door height and on the door brand

Operator rails

1.13 Comfort 211, 220.2, 250.2, 252.2



Toothed drive belt, 1-part version (0,8 mm)

Article	Article no.	Price each
SZ 11, 1-part Measurements (L) 3.080 mm Length of travel 2.475 mm Packing length 3.140 mm Weight (total) 4,7 kg	83 725	

Toothed drive belt, 2-part version (0,8 mm)

Article	Article no.	Price each
SZ 11, 2-part Measurements (L) 3.080 mm Length of travel 2.475 mm Packing length 1.600 mm Weight (total) 5,4 kg	83 737	

Article	Article no.	Price each
SZ 12, 1-part Measurements (L) 3.330 mm Length of travel 2.725 mm Packing length 3.380 mm Weight 5,0 kg	83 726	

Article	Article no.	Price each
SZ 12, 2-part Measurements (L) 3.330 mm Length of travel 2.725 mm Packing length 1.725 mm Weight (total) 5,9 kg	83 738	

Article	Article no.	Price each
SZ 13, 1-part Measurements (L) 4.090 mm Length of travel 3.485 mm Packing length 4.140 mm Weight (total) 6,2 kg	83 727	

Article	Article no.	Price each
SZ 13, 2-part Measurements (L) 4.090 mm Length of travel 3.485 mm Packing length 2.100 mm Weight (total) 7,0 kg	83 739	

Article	Article no.	Price each
SK Special length upon customer request, 1-part Measurements (L) max. 6.500 mm	83 733	

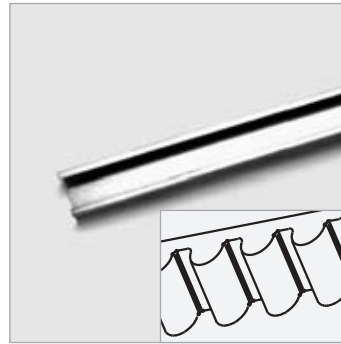
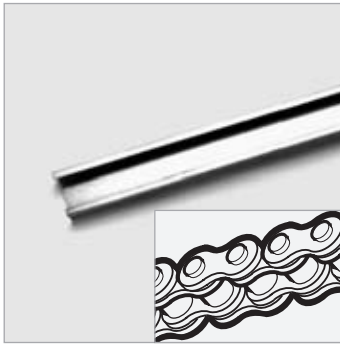
Article	Article no.	Price each
SK Special length upon customer request, 2-part Measurements (L) max. 8.000 mm	83 735	

Package
· Micro-profiled operator rail, 1-part

Package
· Micro-profiled operator rail, 2-part
· Rail connector
· Mounting material

Function / Application
· To transmit the power from the operator system to the door
· Micro-profiled operator rail for the operator systems Comfort 211 (only SZ 11 and SZ 12), 220.2, 250.2, and 252.2
· The rail length depends on the door height and on the door brand

Function / Application
· To transmit the power from the operator system to the door
· Micro-profiled operator rail for the operator systems Comfort 211 (only SZ 11 and SZ 12), 220.2, 250.2 and 252.2
· The rail length depends on the door height and on the door brand



Roller chain, 1-part version (1,2 mm)

Article	Article no.	Price each
SK S 11, 1-part Measurements (L) 3.080 mm Length of travel 2.475 mm Packing length 3.140 mm Weight (total) 5,9 kg	86 318	

Article	Article no.	Price each
SK S 12, 1-part Measurements (L) 3.330 mm Length of travel 2.725 mm Packing length 3.380 mm Weight 6,3 kg	86 319	

Article	Article no.	Price each
SK S 13, 1-part Measurements (L) 4.090 mm Length of travel 3.485 mm Packing length 4.319 mm Weight (total) 8,2 kg	86 320	

Article	Article no.	Price each
SK Special length upon customer request, 1-part Measurements (L) max. 6.500 mm	83 781	

Package
· Micro-profiled operator rail incl. ball bearing and reinforced trolley, 1-part

Function / Application
<ul style="list-style-type: none"> · Optimised travel feature by reinforced rail incl. ball bearing and reinforced trolley · To transmit the power from the operator system to the door · Micro-profiled operator rail for heavy garage doors as well as underground and collective garages · For operator systems Comfort 220.2, 250.2, 252.2 and 257 · The rail length depends on the door height and on the door brand

Toothed drive belt, 1-part version (1,2 mm)

Article	Article no.	Price each
SZ S 11, 1-part Measurements (L) 3.080 mm Length of travel 2.475 mm Packing length 3.140 mm Weight (total) 4,7 kg	86 315	

Article	Article no.	Price each
SZ S 12, 1-part Measurements (L) 3.330 mm Length of travel 2.725 mm Packing length 3.380 mm Weight (total) 5,0 kg	86 316	

Article	Article no.	Price each
SZ S 13, 1-part Measurements (L) 4.090 mm Length of travel 3.485 mm Packing length 4.319 mm Weight (total) 6,2 kg	86 317	

Article	Article no.	Price each
SK Special length upon customer request, 1-part Measurements (L) max. 6.500 mm	83 787	

Package
· Micro-profiled operator rail incl. ball bearing and reinforced trolley, 1-part

Function / Application
<ul style="list-style-type: none"> · Optimised travel feature by reinforced rail incl. ball bearing and reinforced trolley · To transmit the power from the operator system to the door · Micro-profiled operator rail for heavy garage doors as well as underground and collective garages · For operator systems Comfort 220.2, 250.2, 252.2 and 257 · The rail length depends on the door height and on the door brand